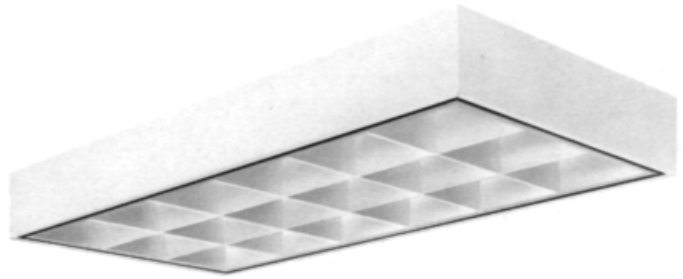


DEEPCELL SURFACE **DPB2S18LS332**

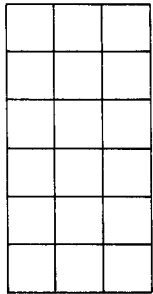
Page 1 of 2 2' x 4' SURFACE FLUORESCENT, 3" TYPE, 18 CELL PARABOLIC LOUVER, 3 LAMP T8 OR T12

Features

- Only 5-1/2" deep.
- 20 gauge steel body.
- 45° mitered corners (body and louver).
- Side-mounted ballast for cooler operation.
- Coilzak® aluminum parabolic louver.
- Vertical grain on louver eliminates reflected lamp images on cross baffle.
- Perfectly uniform four-side black reveal.
- Spring-loaded "roosterhead" latches.
- Reversible louver hinging.
- Door jamb with integral positive light stop.
- Flush end K.O.s for smooth surface appearance (at end of row or individual).
- Protective film dust guard.
- Louver interchangeable with PrismaLyte (PNB)
- Meets NYC Code requirements.

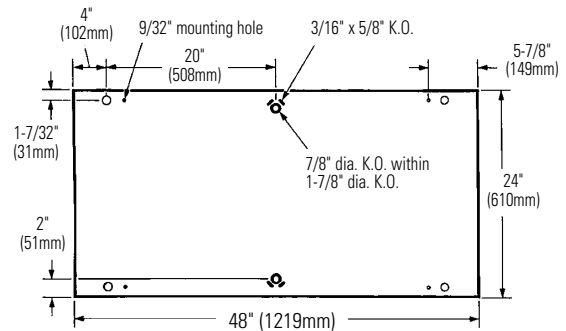
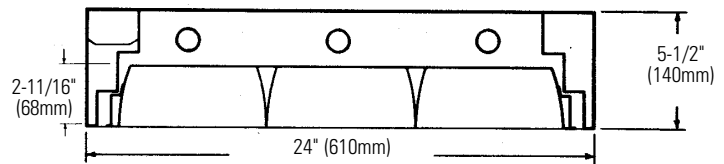


LOUVER

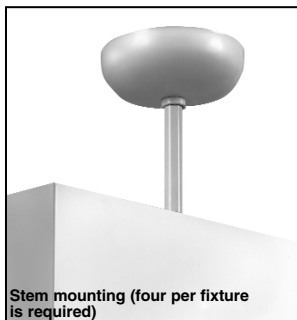


18 Cells

DIMENSIONS



MOUNTING METHOD



Job Information

Type:

Job Name:

Cat. No.:

Lamp(s):

Volts/Ballast:

Lightolier a Genlyte Thomas Company www.lightolier.com
 Technical Information: (978) 657-7600 • Fax (978) 658-0595
 631 Airport Road, Fall River, MA 02720 • (508) 679-8131 • Fax (508) 674-4710
 We reserve the right to change details of design, materials and finish.
 © 2002 Genlyte Thomas Group LLC (Lightolier Division)
 A0902 **Section 2A/Folio G50-81 REV. C**

LIGHTOLIER®



DEEPCELL SURFACE DPB2S18LS332

Page 2 of 2 2' x 4' SURFACE FLUORESCENT, 3" TYPE, 18 CELL PARABOLIC LOUVER, 3 LAMP T8 OR T12

PHOTOMETRY

45 Industrial Way
Wilmington, MA 01987
(978) 657-7600

REPORT NO.: G01025
CATALOG NO.: DPB2S18LS33212003
LAMP(S): 3 F32/T8 TL841, EACH RATED 2850 LUMENS.
LUMINAIRE: MODULAR 2X4 WITH 18 CELL LOUVER
TRIAD E2321120/E1321S120
.74 AMPS 97.7 WATTS

DATE: 06-13-01

CANDELA DISTRIBUTION					FLUX
0.0	22.5	45.0	67.5	90.0	
0	2346	2346	2346	2346	225
5	2350	2345	2347	2355	2331
15	2262	2296	2400	2511	2543
25	2133	2235	2488	2719	2808
35	1969	2131	2457	2691	2772
45	1721	1860	2012	1926	1863
55	1296	1302	1256	1150	1153
65	538	525	486	411	366
75	23	30	30	30	37
85	0	5	6	6	6
90	0	0	0	0	0

ZONAL LUMEN SUMMARY			
ZONE	LUMENS	%LAMP	%FIXT
0-30	2053	21.7	31.2
0-40	3554	37.6	54.0
0-60	6080	64.3	92.4
0-90	6581	69.6	100.0
90-180	0	0.0	0.0
0-180	6581	69.6	100.0

TOTAL LUMINAIRE EFFICIENCY = 69.6 %
TOTAL REFLECTANCE OF PAINT = 92.8 %
CIE TYPE - DIRECT

PLANE : 0-DEG 90-DEG
SPACING CRITERIA : 1.3 1.6
SHIELDING ANGLES : 22 25
PLANE : 0-DEG 90-DEG
LUMINOUS LENGTH : 45.000 21.000

LUMINANCE DATA IN FOOTLAMBERTS
ANGLE AVERAGE AVERAGE AVERAGE
IN DEG 0-DEG 45-DEG 90-DEG
45 1165. 1362. 1251.
55 1082. 1048. 962.
65 610. 550. 415.
75 42. 56. 56.
85 0. 30. 35.

MODEL NO. DPB2S18LS33212003

coefficients of utilization — zonal cavity method

	20			50			80			
	RF	RC	RW	RF	RC	RW	RF	RC	RW	
room cavity ratio	1	2	3	4	5	6	7	8	9	10
	78	72	67	62	57	52	47	42	37	32
	75	68	61	54	48	42	36	30	25	20
	73	64	56	48	41	34	28	22	17	12
	71	61	51	43	36	29	23	18	13	8
	69	54	44	37	30	24	18	13	9	5
	68	51	41	34	27	21	15	11	7	4
	68	48	38	31	24	18	13	9	6	3
	67	44	34	27	20	14	10	7	4	2
	67	39	29	22	16	11	8	5	3	1
	65	34	24	18	13	9	6	4	2	0
	62	29	20	14	10	7	5	3	1	0
	58	24	16	11	8	5	3	1	0	0
	54	19	12	8	6	4	2	1	0	0
	51	14	9	6	4	2	1	0	0	0
	47	9	6	4	2	1	0	0	0	0
	44	6	4	2	1	0	0	0	0	0
	41	4	2	1	0	0	0	0	0	0
	37	2	1	0	0	0	0	0	0	0
	34	1	0	0	0	0	0	0	0	0
	30	0	0	0	0	0	0	0	0	0
	27	0	0	0	0	0	0	0	0	0
	23	0	0	0	0	0	0	0	0	0
	19	0	0	0	0	0	0	0	0	0

visual comfort probability

room size	ceiling height	ceiling height				ceiling height			
		8.5	10.0	13.0	16.0	8.5	10.0	13.0	16.0
W	L	20	20	20	20	20	20	20	20
20	20	75	69	69	77	77	73	71	78
20	30	78	73	67	67	80	76	72	69
20	40	80	76	71	68	83	79	76	72
20	60	80	76	74	71	84	81	79	75
30	20	80	74	69	76	82	76	71	76
30	30	83	77	68	66	84	79	73	68
30	40	84	80	72	67	86	81	76	70
30	60	84	80	75	70	87	83	79	73
30	80	84	80	75	71	88	84	80	76
40	20	80	77	73	76	82	79	74	76
40	30	84	79	72	67	85	82	75	68
40	40	85	82	75	68	87	84	78	71
40	60	86	82	78	71	88	85	81	73
40	80	86	82	78	72	89	86	82	76
40	100	86	82	78	72	89	86	84	78
60	30	84	79	74	70	85	82	77	70
60	40	86	82	77	70	87	84	80	73
60	60	86	83	80	73	88	86	82	75
60	80	86	84	80	75	89	87	84	77
60	100	86	84	80	75	89	87	84	79
100	40	86	82	77	72	87	84	80	75
100	60	86	83	80	75	88	86	83	77
100	80	86	84	81	77	89	87	84	79
100	100	86	83	81	77	89	87	85	81

ORDERING INFORMATION Explanation of Catalog Number. Example: DPB2S18LS33212003GLR

DP	B	2	S			S	3				
DEEPCELL PARABOLIC: Pre-anodized Aluminum Louver	BODY STYLE: Surface Box	FIXTURE WIDTH	CEILING TYPE: S=Surface	NUMBER OF CELLS: 18 or 24	LOUVER FINISH*: L= Low-iridescence semi-specular (standard) P= Low-iridescence specular W=White Paint	BALLAST COVER	LAMP QUANTITY: (By Others) 3-3 Lamp	VOLTAGE: 120 or 277	BALLAST TYPE: 1 & 2 Lamp Mag. 1 & 2 Lamp Elec. T8 1-3 Lamp Elec. T8 LOL Dimming T8 *Instant Start Standard Other dimming options. Consult factory.	OPTIONS: Add appropriate suffix to catalog no., ie: (GLR)	

*Consult factory for availability of louver finishes.

OPTIONS & ACCESSORIES

STEM AND CANOPY SETS: Suspends fixture 6", 12", 18" or 24" from surface. (Four per fixture is recommended.) **Catalog Number: ASC6 CSP (6"), ASC12 CSP (12"), ASC18 CSP (18"), ASC24 CSP (24")**

FUSING: Internal fast-blow fusing.

SUFFIX: **GLR.**

Internal slow-blow fusing.

SUFFIX: **GMF.**

RADIO INTERFERENCE FILTER 120 or 277 volt, 50 or 60 Hz. One per fixture is standard. SUFFIX: **RF.**

ELECTRICAL/WIRING OPTIONS Consult factory.

SPECIFICATIONS

PERFORMANCE: In an installation of 3 lamp 32W luminaires in a room cavity ratio of 1, with a reflectance of 80% ceiling, 50% wall, 20% floor, the C.U. shall not be less than .75. To prevent glare the VCP shall be not less than 85 either lengthwise or cross wise (at 100fc level) and the average brightness at 65° shall not exceed 610 footlamberts. To control veiling reflections, luminaire output in the 30°-90° zone shall be not less than 69%.

SPECIFICATIONS (continued)

MATERIALS: Chassis parts are die-formed 20 gauge cold rolled steel, stud-welded for rigidity with all seams finished smooth.

LOUVER: pre-anodized aluminum (Coilzak® or equal).

STANDARD FINISH: Louver—low iridescence, semi-specular pre-anodized vertical grain reflector sheet. **Cavity**—white baked acrylic enamel minimum 86% reflectance. Phosphate undercoating. **Chassis exterior**—white baked acrylic enamel.

ELECTRICAL: Thermally protected class "P" ballast C.B.M. approved, non PCB. If K.O. is within 3" of ballast, use wire suitable for at least 90°.

LABELS: I.B.E.W./UL and C-UL.

Job Information

Type:

Lightolier a Genlyte Thomas Company

www.lightolier.com

Technical Information: (978) 657-7600 • Fax (978) 658-0595

631 Airport Road, Fall River, MA 02720 • (508) 679-8131 • Fax (508) 674-4710

We reserve the right to change details of design, materials and finish.

© 2002 Genlyte Thomas Group LLC (Lightolier Division)

A0902

Section 2A/Folio G50-81 REV. C

LIGHTOLIER®